



Magnet System
Installation Instruction



Features

The board is made of bamboo material produced by Dasso for outdoor use, professionally researched and developed (high-resistance), porcelain technology, more environmentally friendly, more durable, and more diversified surface effects.



100% accessible deck screwless installation


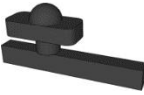


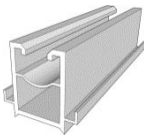
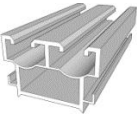
100% Screwless installation

The new Magnet invisible profile brings us MORE key advantages!

Double card slot structure on the back.



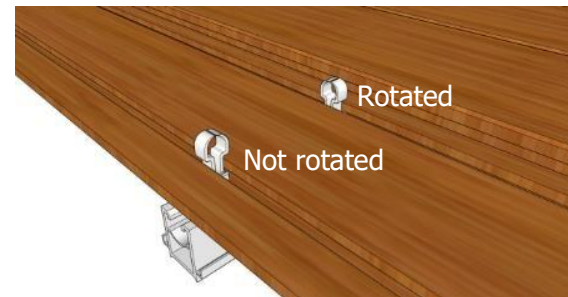
Accessories

Name	Image	Description	Consumption (Joist distance- 370mm)	Consumption (Joist distance- 464mm)
Plastic fasteners		Fixed sheet fasteners	34.3pcs/m ²	30pcs/m ²
Spacer clip		Gap control fasteners between boards	9.5pcs/m ²	9pcs/m ²
Blocker card		Prevent horizontal movement	3pcs/m ²	3pcs/m ²
Base		Joist support	6.7pcs/m ²	5.5pcs/m ²
Single slot joist		Place boards support	1.6m/m ²	1.1m/m ²
Double groove joist		Place boards support	1.3m/m ²	1.3m/m ²



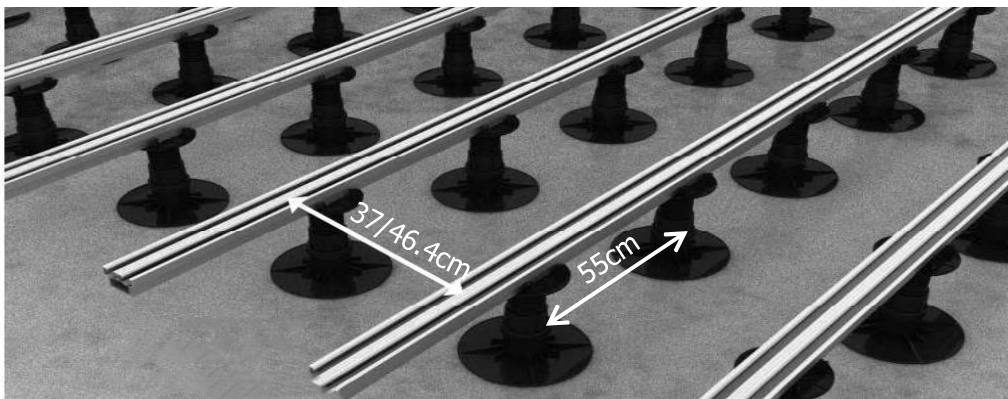
Installation Preparation

Joists are the foundation and structure of the future flooring. They must be expertly leveled and well distributed throughout the site. The leveling should be accurately done with height adjustable pedestals or wedges to match our aluminum joists.



37 or 46.4 cm between axis middle of the joist

Base center spacing 55 cm.



Step 1: Install the card slot fastener

The magnet system is a mechanical locking with a perfect fitting of magnet clips inside the groove of the joists. If clips are not placed in the right position and are smashed against a flat surface, they will break. If on the contrary, clips are properly positioned, they can be clicked in and out as many times as desired.

1.1: Turn the wooden board over the top of the keel, with the card slot facing upwards

1.2: **Align magnets according to joists spacing**

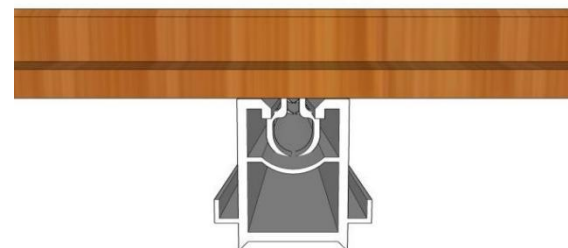
1.3: **Twist magnet clips to block them in the desired position**

1.3: Rotate the plastic fastener clip to fix it in the required position

1.4: **Turn board down and press smoothly**

1.5 : **A neat CLICK sound will be heard**

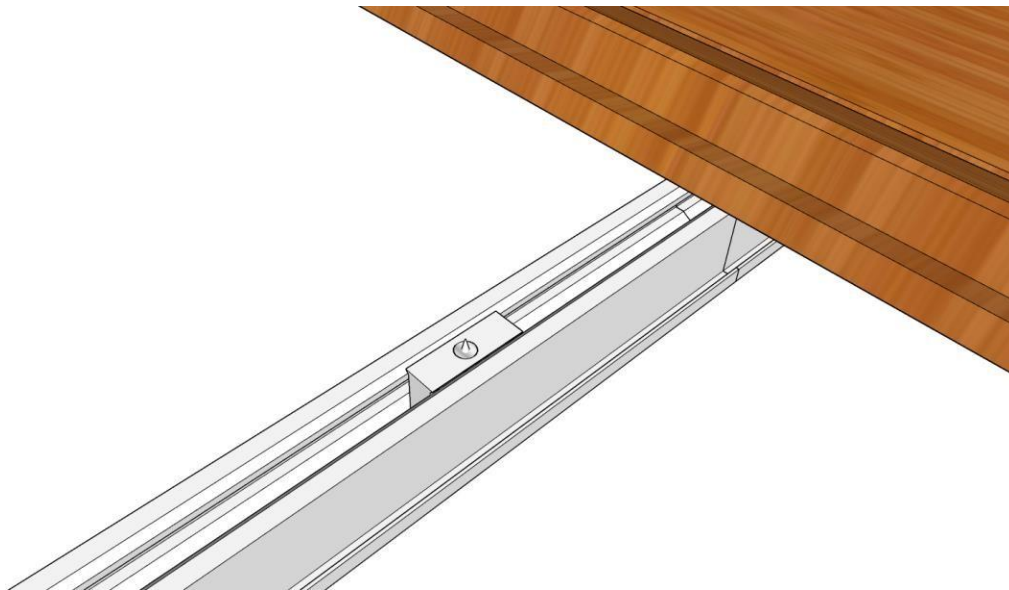
1.6: Check and complete



Step 2: Installation of limit clips (its function prevents the plate from moving longitudinally)

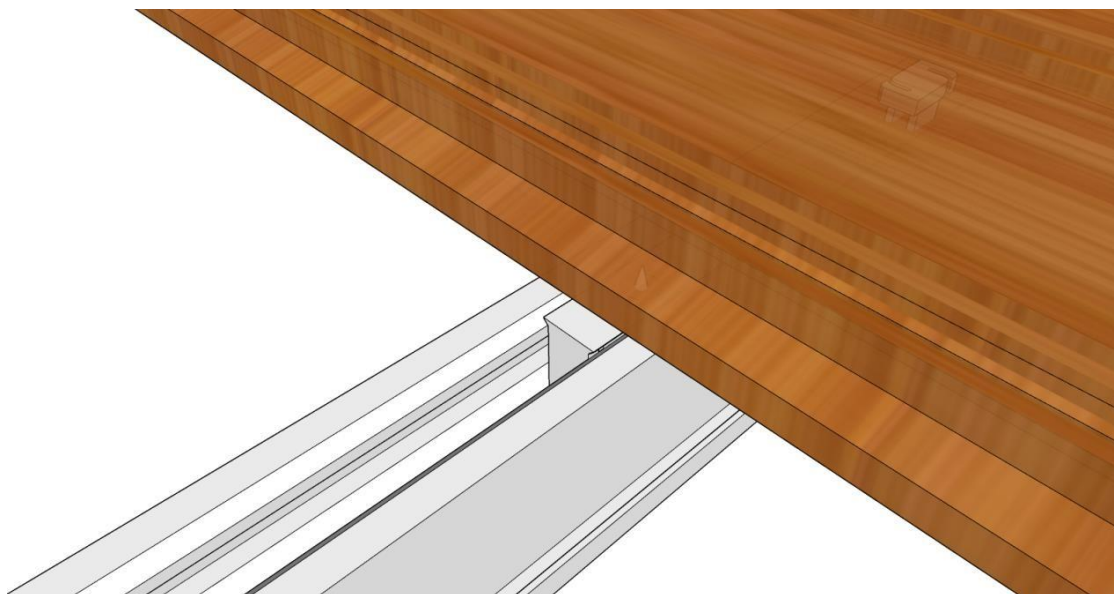


2.1 : First place the card in the keel slot



2.2 : Then place the plate with the fastener installed flat, the position of the fastener can be pressed heavily to make the spike position better.

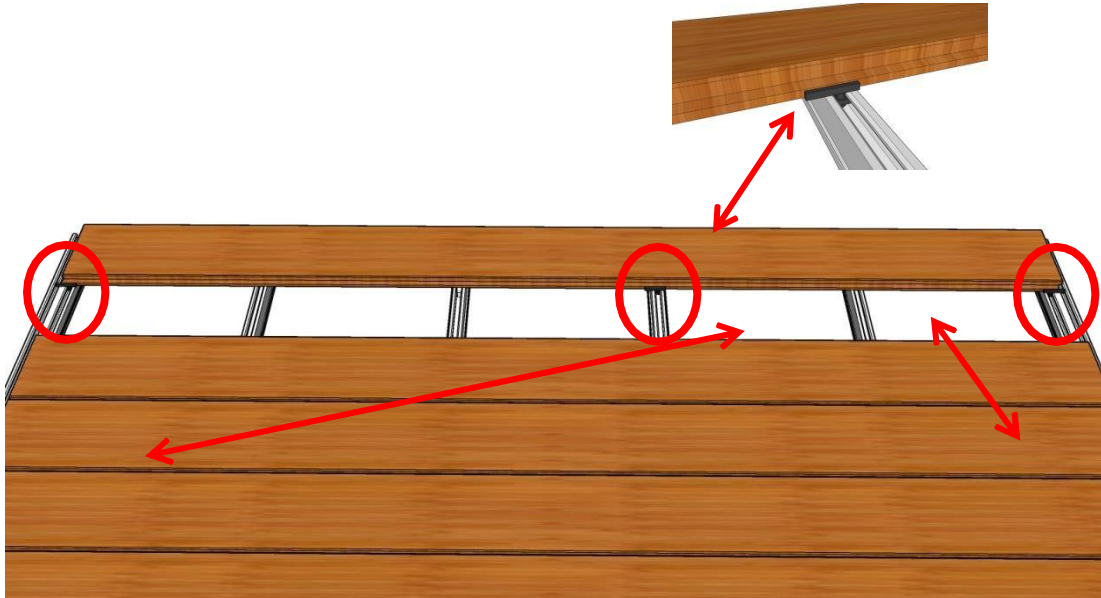
(Please pay attention to the installation site, be careful of stabbing)



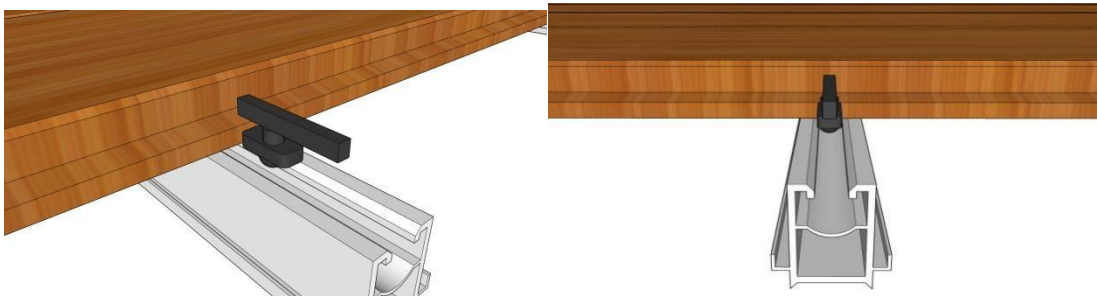
2.3 : Just place a limit clip on each board, and the position can be centered.

Step 3: Clearance clamp installation

their function on outdoor applications is to provide a 4mm gap between boards to allow for water drainage and air circulation. spacers should be placed in each side of the board at shortends/joints



3.1 : First insert in the same direction as the keel slot



3.2 : Rotate ninety degrees to a fixed position, close to the board to complete





It is recommended to use double-row plastic fastener clips for more stable installation.



Z-shaped plastic fastener clips can also be used to save costs

